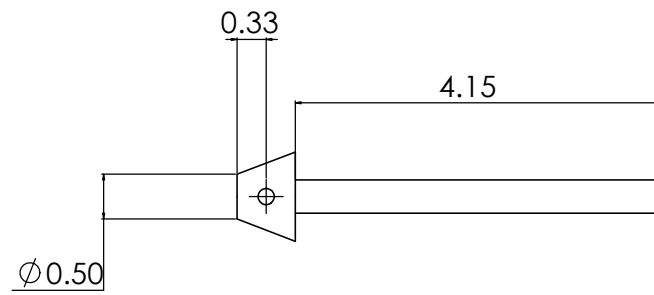
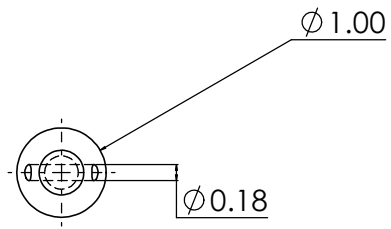
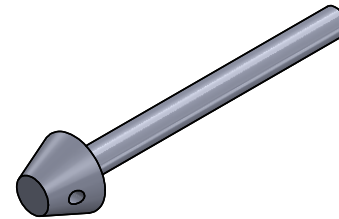
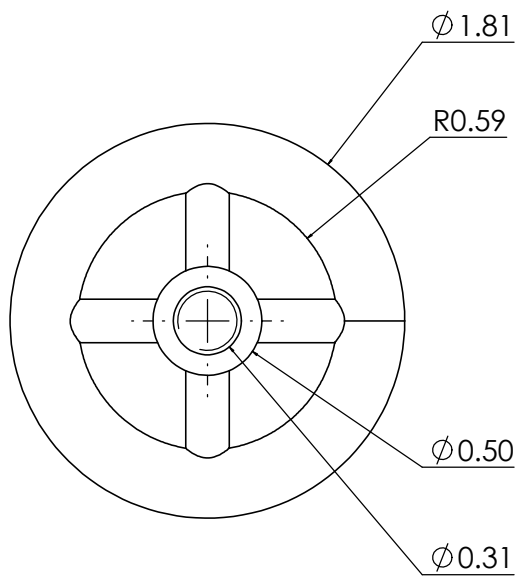
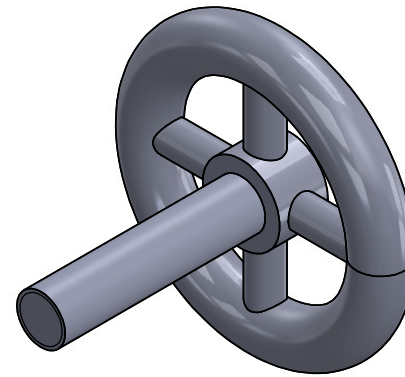
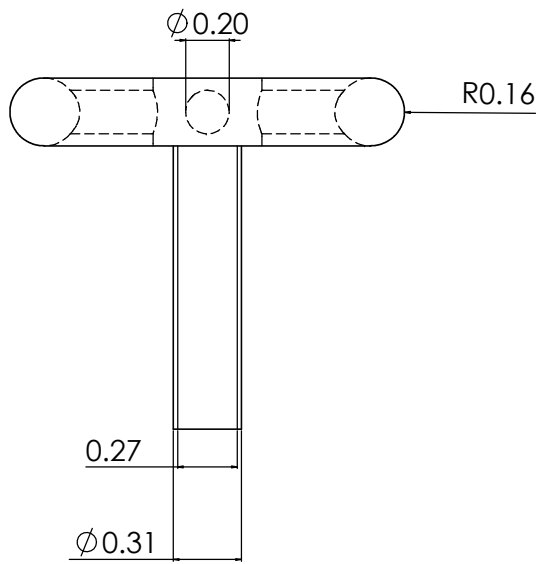


Title		Jaw	
Author			
Date			
Scale			
Material			
Drawing No.			
Revision			
Checked			
Approved			



Part Name	Shaft
Part Number	
Material	
Quantity	
Unit	
Drawn By	
Checked By	
Approved By	
Date	
Scale	
Sheet No.	
Total Sheets	



Part Name	Wheel
Part Number	
Material	
Quantity	
Unit	
Drawn By	
Checked By	
Approved By	
Date	
Scale	
Sheet No.	1 of 1