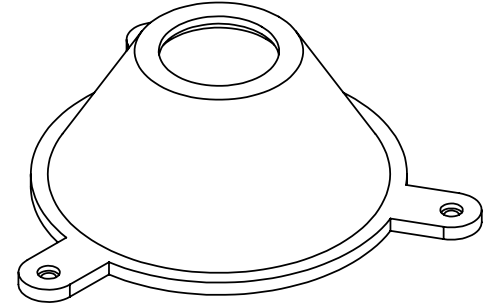
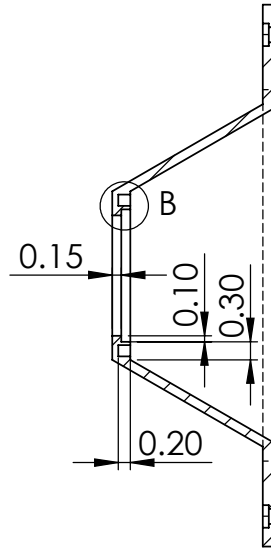
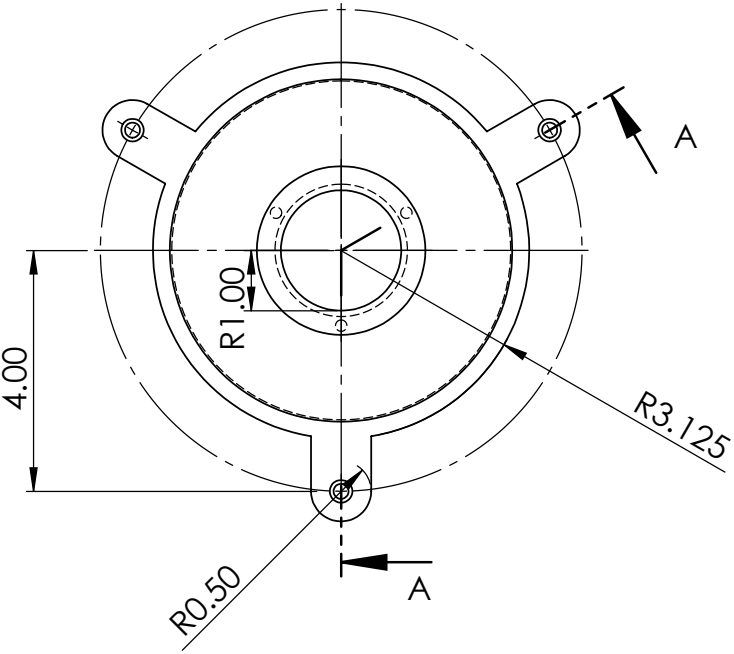


6 5 4 3 2 1

D

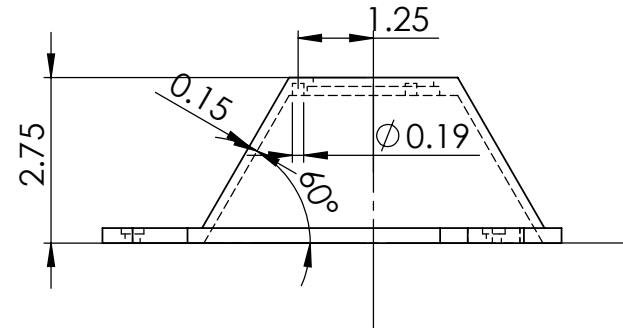
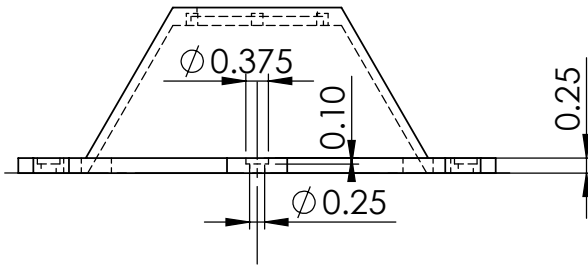


D

C

B

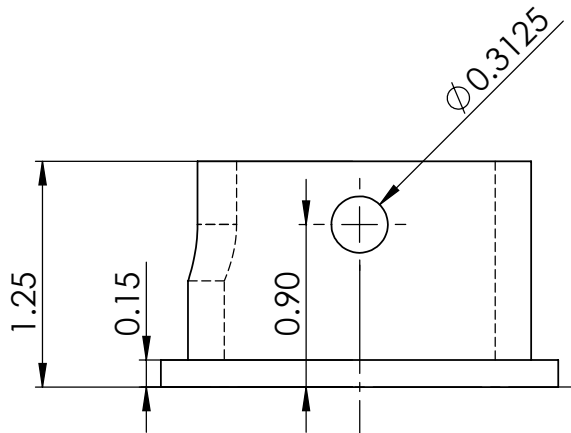
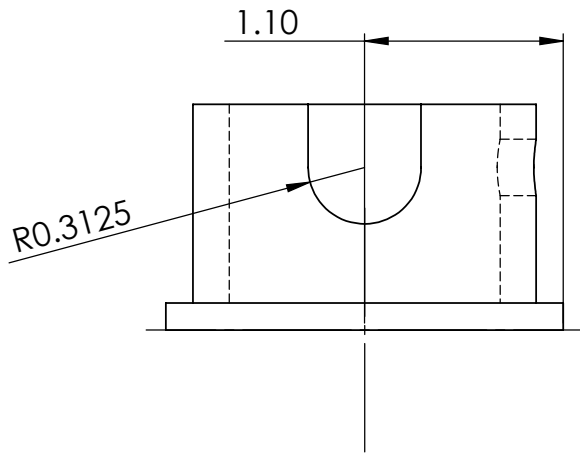
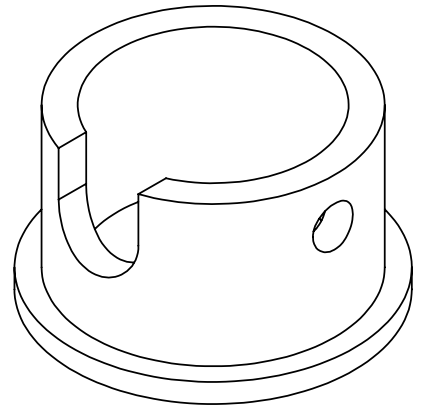
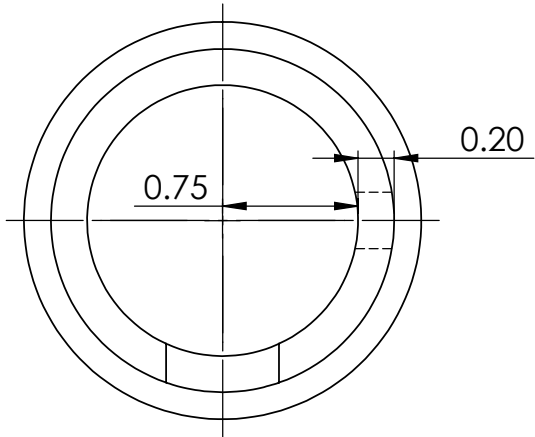
A



	NAME	SIGNATURE	DATE			TITLE:
DRAWN	Alex Renner					Base
CHK'D						
APPV'D						
MFG						
Q.A				MATERIAL:		DWG NO.
						1
						A4
				WEIGHT:		SCALE:1:5
						SHEET 1 OF 1

6 5 4 3 2 1

6 5 4 3 2 1



D

D

C

C

B

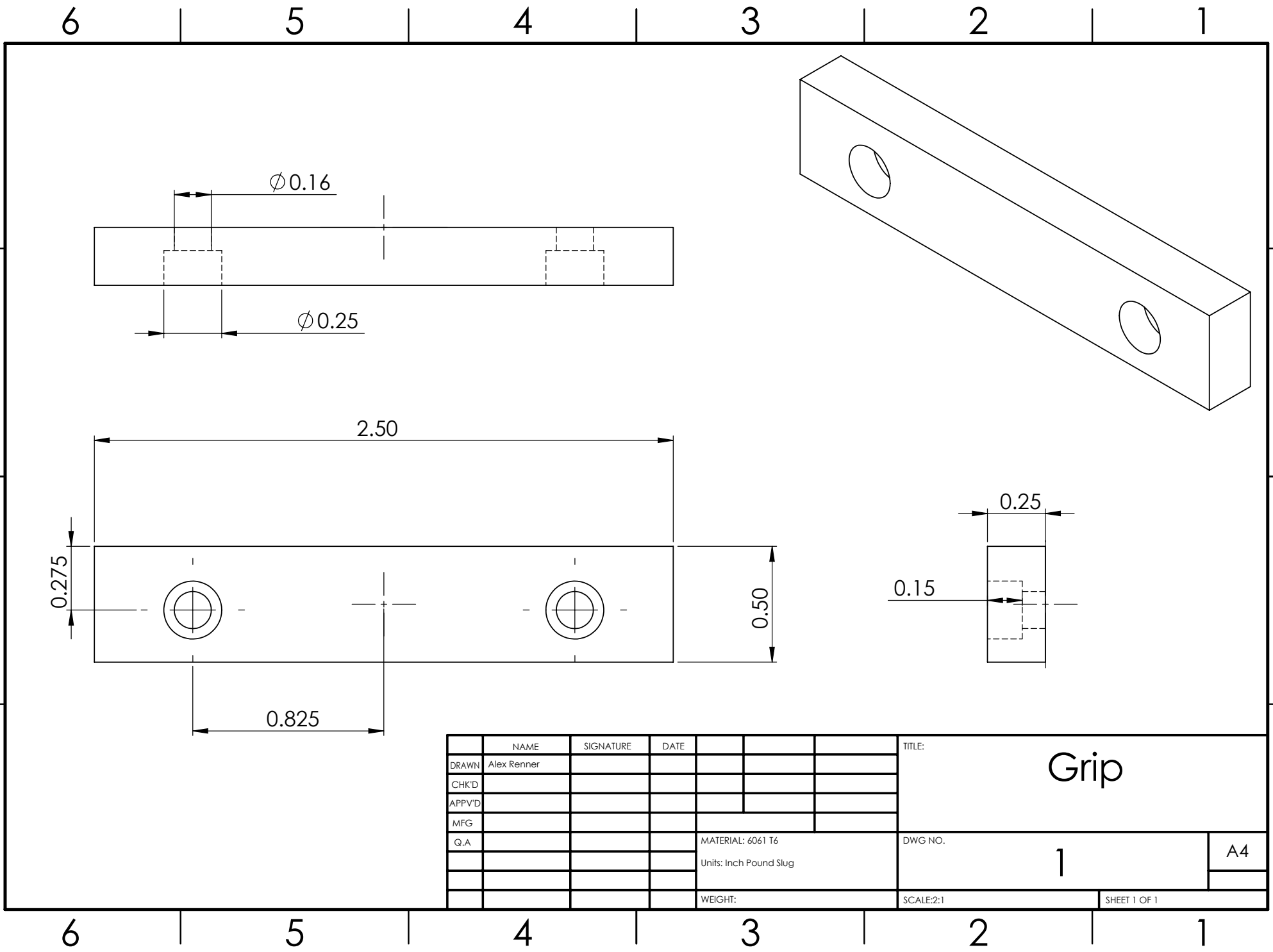
B

A

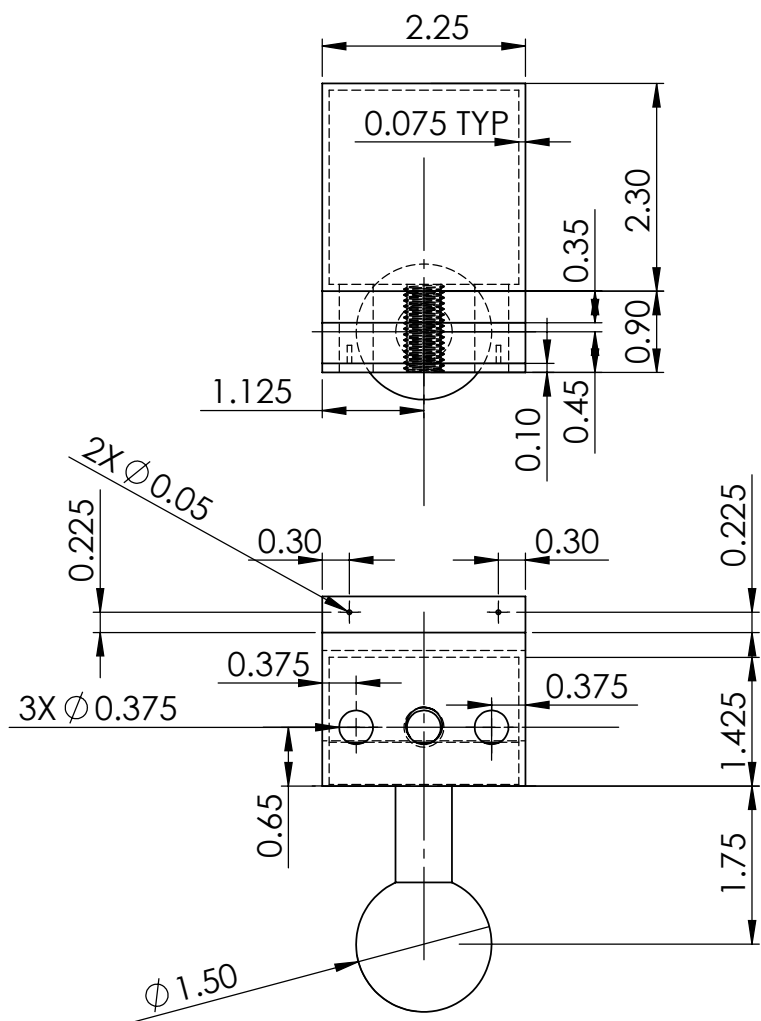
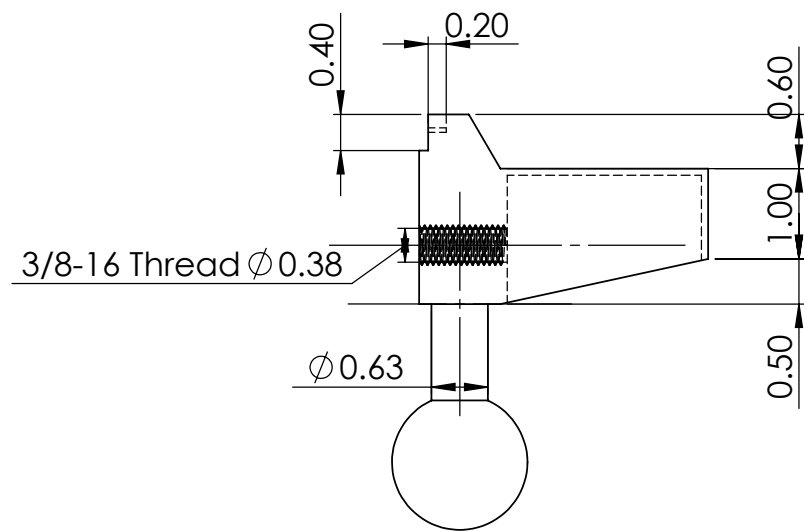
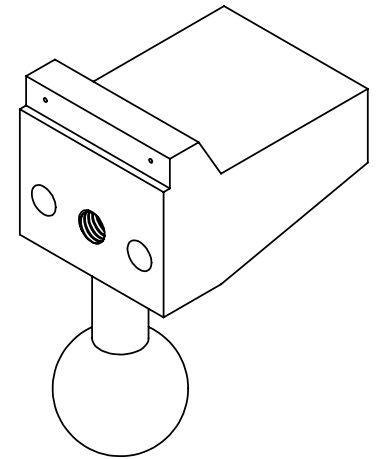
A

	NAME	SIGNATURE	DATE			TITLE:	Casing	
DRAWN	Alex Renner							
CHK'D								
APPV'D								
MFG								
Q.A				MATERIAL: 6061 T6		DWG NO.	1	A4
				Units: Inch Pound Slug				
				WEIGHT:		SCALE:1:1		SHEET 1 OF 1

6 5 4 3 2 1

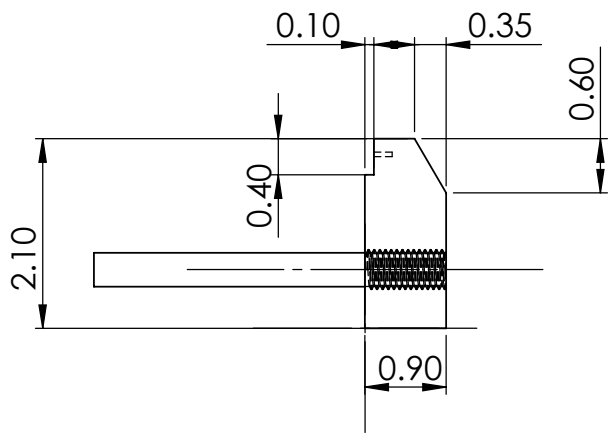
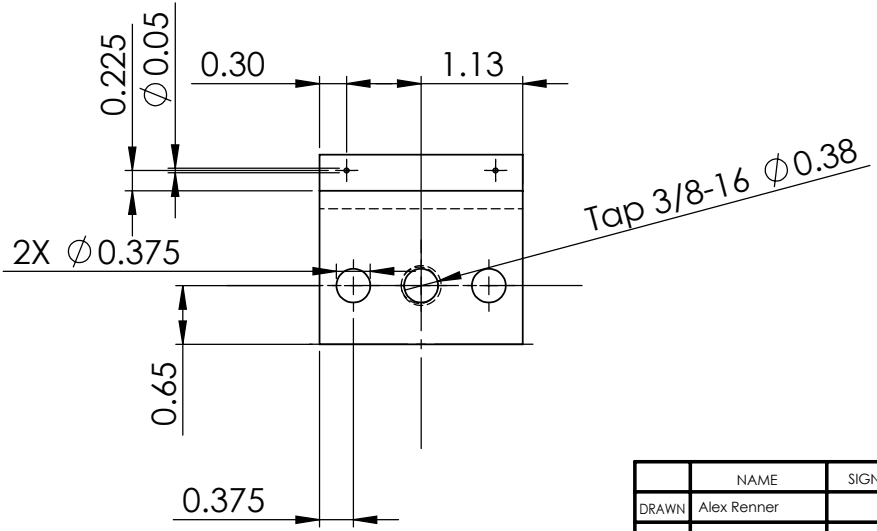
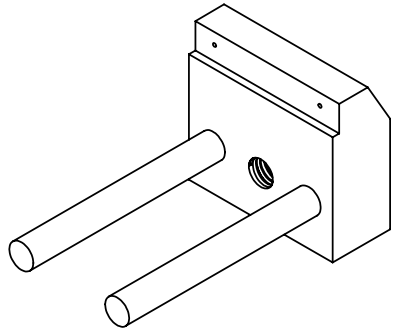
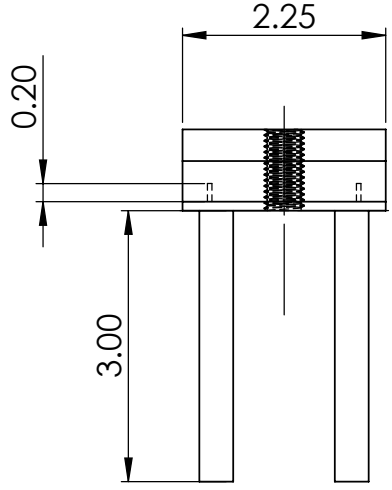


	NAME	SIGNATURE	DATE				TITLE:	Grip	
DRAWN	Alex Renner								
CHK'D									
APPV'D									
MFG									
Q.A							MATERIAL: 6061 T6	DWG NO.	1
							Units: Inch Pound Slug		A4
							WEIGHT:	SCALE:2:1	SHEET 1 OF 1



	NAME	SIGNATURE	DATE				TITLE:	Head	
DRAWN	Alex Renner								
CHK'D									
APPV'D									
MFG									
Q.A					MATERIAL: 6061 T6		DWG NO.	1	A4
					Units: Inch Pound Slug				
					WEIGHT:		SCALE:1:2		SHEET 1 OF 1

6 5 4 3 2 1



	NAME	SIGNATURE	DATE			TITLE:
DRAWN	Alex Renner					Jaw
CHK'D						
APPV'D						
MFG						
Q.A						
				MATERIAL: 6060 T6	DWG NO.	1
				Units: Inch Pound Slug		
				WEIGHT:	SCALE:1:2	SHEET 1 OF 1

6 5 4 3 2 1

D  
C  
B  
A

D  
C  
B  
A

6 5 4 3 2 1

D

D

C

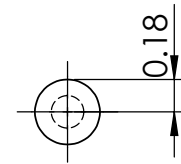
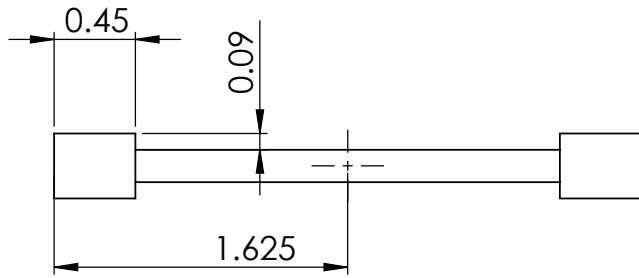
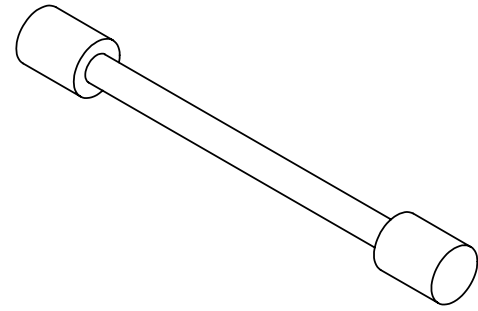
C

B

B

A

A



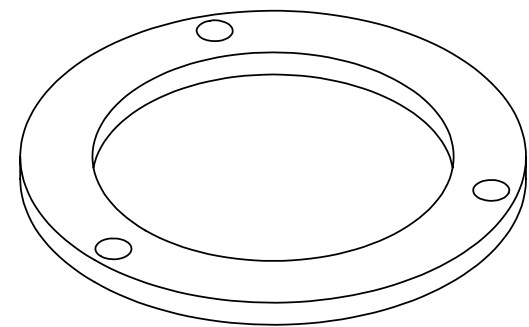
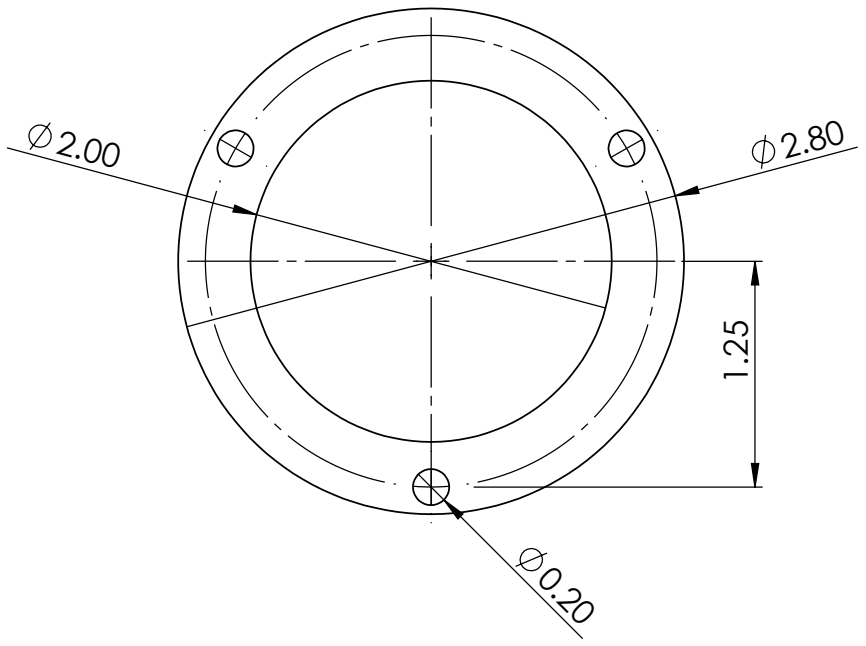
	NAME	SIGNATURE	DATE				TITLE:	Pin	
DRAWN	Alex Renner								
CHK'D									
APPV'D									
MFG									
Q.A				MATERIAL: 6061 T6			DWG NO.	1	A4
				Units: Inch Pound Slug					
				WEIGHT:			SCALE:1:1	SHEET 1 OF 1	

6 5 4 3 2 1

6 5 4 3 2 1

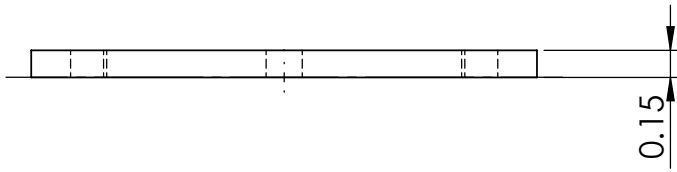
D

D



C

C



B

B

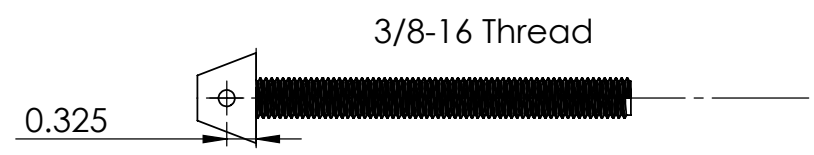
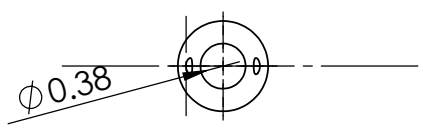
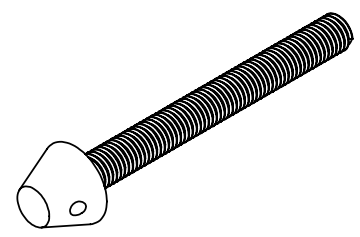
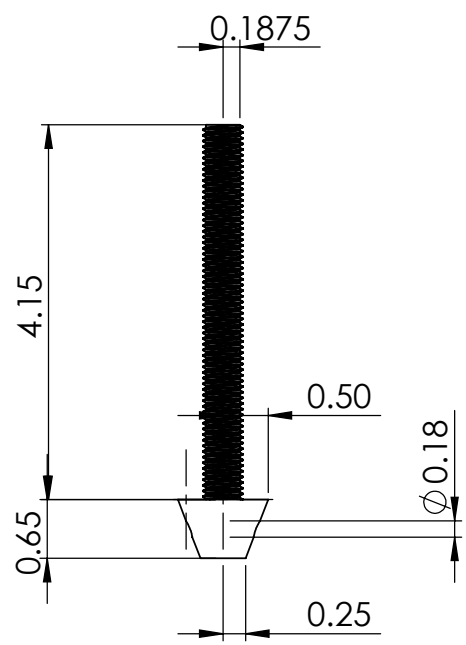
A

A

	NAME	SIGNATURE	DATE				TITLE:	Plate	
DRAWN	Alex Renner								
CHK'D									
APPV'D									
MFG									
Q.A							MATERIAL: 6061 T6	DWG NO.	1
							Units: Inch Pound Slug		A4
							WEIGHT:	SCALE:1:1	SHEET 1 OF 1

6 5 4 3 2 1

6 5 4 3 2 1



D

C

B

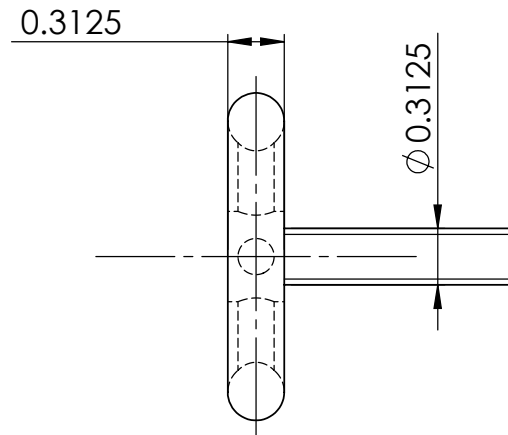
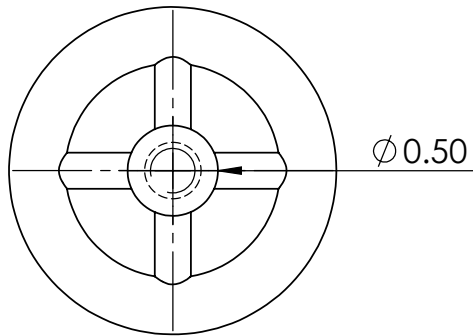
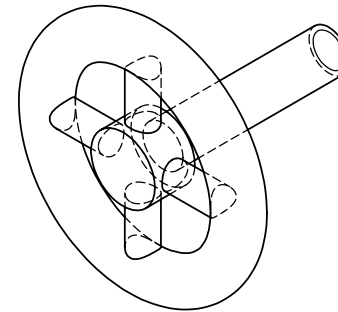
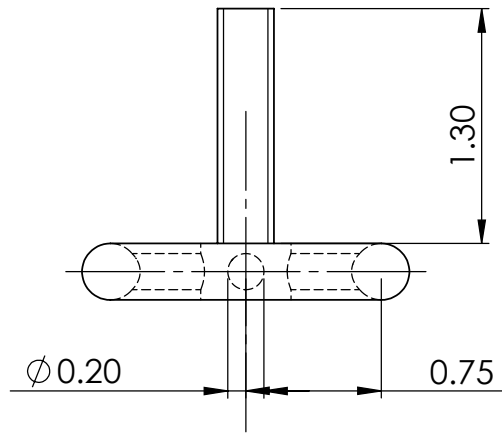
A

	NAME	SIGNATURE	DATE				TITLE:	Shaft	
DRAWN	Alex Renner								
CHK'D									
APPV'D									
MFG									
Q.A						MATERIAL: 6061 T6	DWG NO.	1	A4
						Units: Inch Pound Slug			
						WEIGHT:	SCALE:1:2	SHEET 1 OF 1	

6 5 4 3 2 1



6 5 4 3 2 1



	NAME	SIGNATURE	DATE				TITLE:	Wheel	
DRAWN	Alex Renner								
CHK'D									
APPV'D									
MFG									
Q.A					MATERIAL: 6061 T6		DWG NO.	1	A4
					Units: Inch Pound Slug				
					WEIGHT:		SCALE:1:1		SHEET 1 OF 1

6 5 4 3 2 1

D  
C  
B  
A

D  
C  
B  
A